

SANITRON®

ULTRAVIOLET WATER PURIFIERS



Model S2400C
40 GPM

ATLANTIC  ULTRAVIOLET
CORPORATION®

ABOUT US

Since 1963, Atlantic Ultraviolet Corporation has pioneered the discovery and development of beneficial uses of ultraviolet energy. Over the years these efforts have led to the development of valuable, cost effective and environmentally sound techniques and products now known and respected throughout the world. Atlantic Ultraviolet's application specialists assist customers in the selection of germicidal lamps and equipment. Their specialized knowledge is a valuable resource in formulating effective and cost-conscious ultraviolet solutions. Extensive inventories and a dedicated staff enable Atlantic Ultraviolet to fulfill its commitment to provide fast deliveries and responsive customer service.



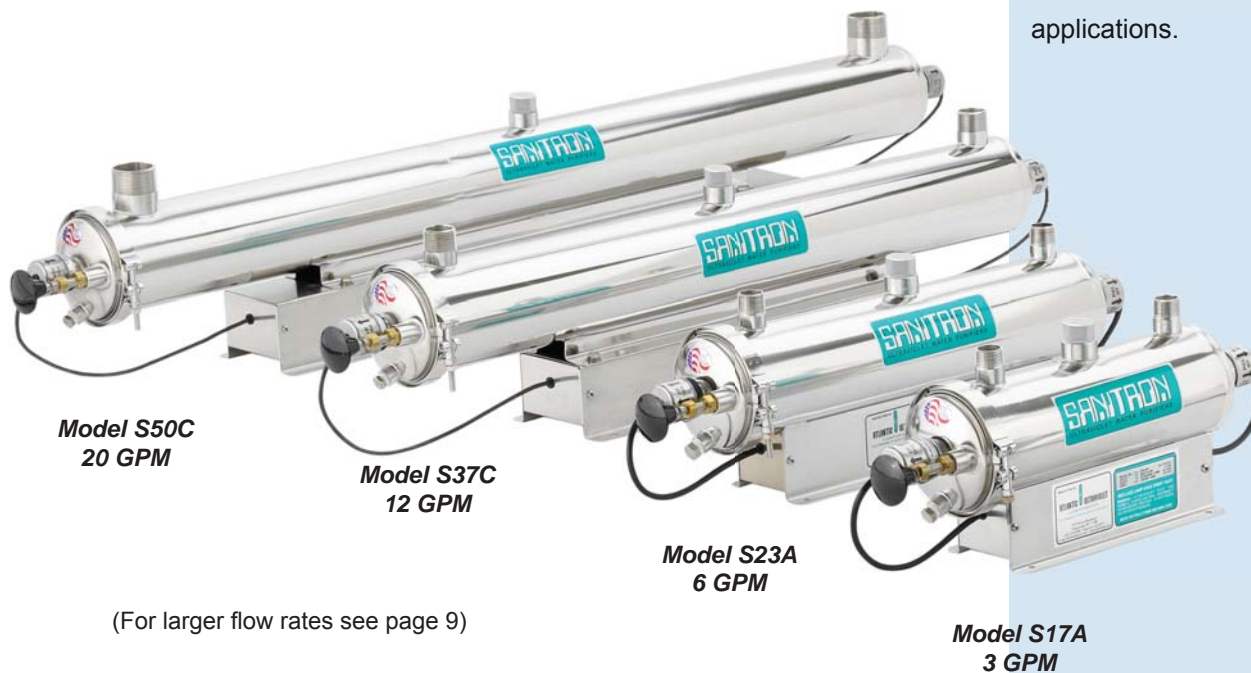
GERMICIDAL ULTRAVIOLET

Ultraviolet water purification is a unique and rapid method of water disinfection without the use of heat or chemicals.

SANITRON® Ultraviolet Purifiers utilize germicidal ultraviolet lamps that produce short wave radiation lethal to bacteria, viruses and other microorganisms present in water.

Through the years ultraviolet technology has become well established as a method of choice for effective and economical water disinfection.

SANITRON® Ultraviolet Water Purifiers are the ideal solution for an ever growing range of water treatment applications.



ADVANTAGES

Effective

Virtually all microorganisms are susceptible to **SANITRON**[®] ultraviolet disinfection

Economical

Hundreds of gallons are purified for each penny of operating cost

Safe

No danger of overdosing, no addition of chemicals

Fast

Water is ready for use as soon as it leaves the purifier – no further contact time required

Easy

Simple installation and maintenance
Compact units require minimum space

Automatic

Provides continuous disinfection without special attention or measurement

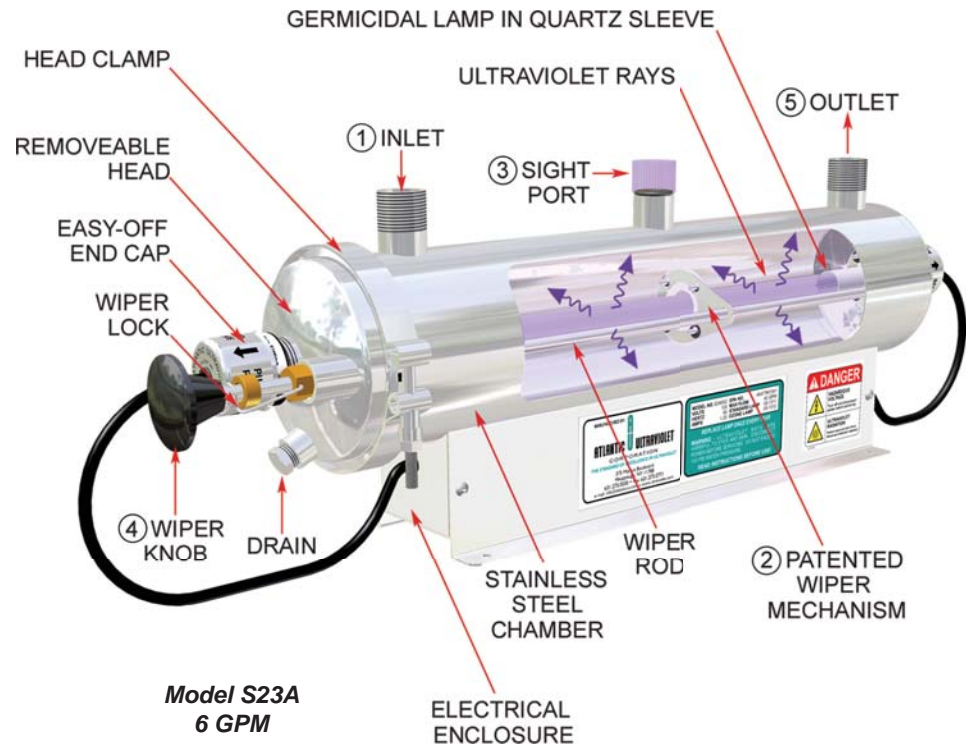
Chemical Free

No chlorine taste or corrosion problems

Versatile

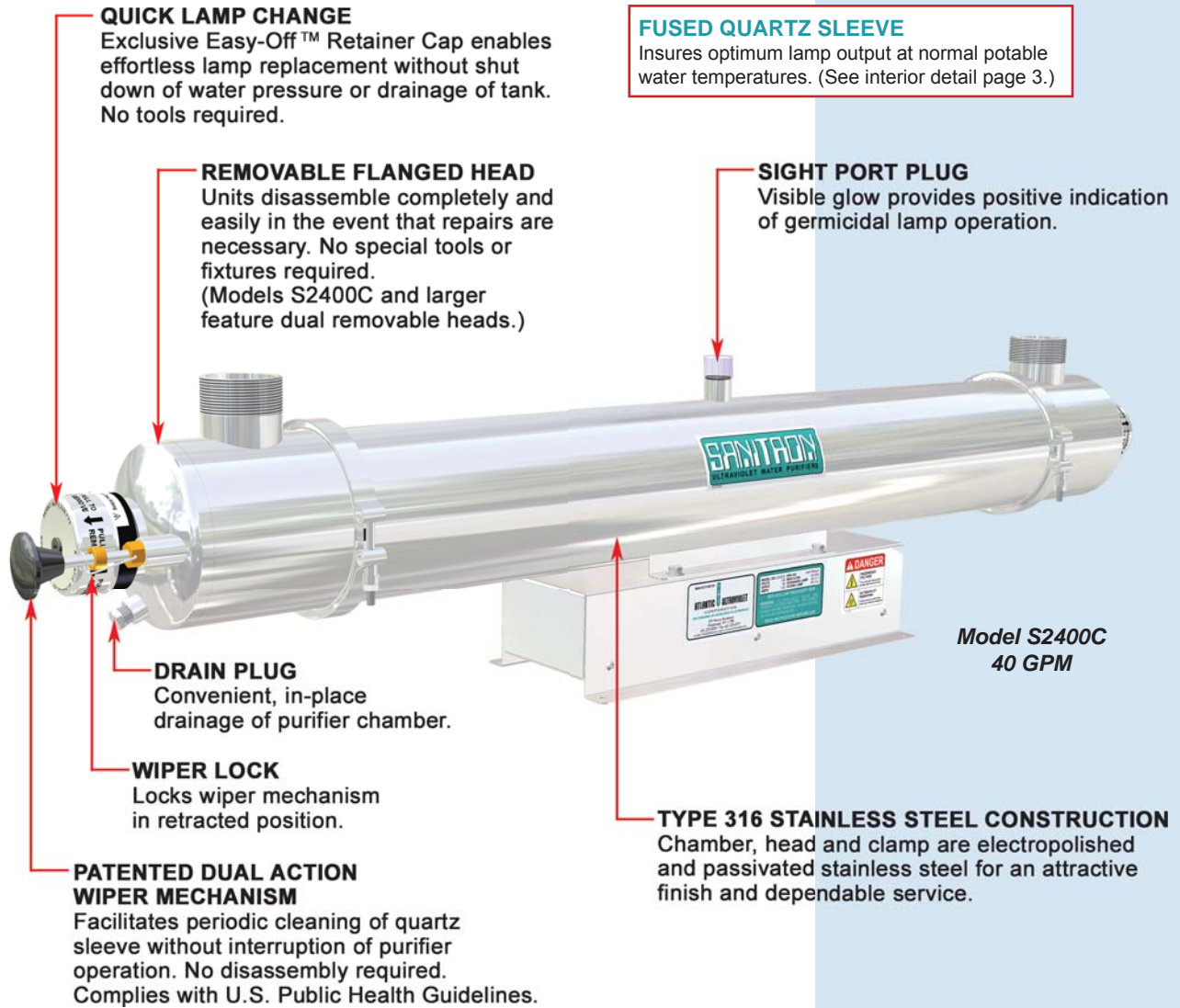
Capacities available from 3 to 416 gallons per minute (g.p.m.)

PRINCIPLE OF OPERATION



- ① The water enters the purifier and flows into the annular space between the quartz sleeve and the chamber wall.
- ② The wiper segments induce turbulence in the flowing liquid to assure uniform exposure of suspended microorganisms to the lethal ultraviolet rays.
- ③ Translucent sight port provides positive indication of germicidal lamp operation.
- ④ The wiper assembly facilitates periodic cleaning of the quartz sleeve without any disassembly or interruption of purifier operation.
- ⑤ Water leaving the purifier is instantly ready for use.

SPECIAL FEATURES



INSTALLATION & MAINTENANCE

The purifier is installed horizontally as close as possible to the point of use. Connection of the inlet and outlet to water supply and insertion of power plug into 3-wire GFCI grounded outlet is all that is required.

Ordinary maintenance consists of cleaning the quartz sleeve with the manual wiper once monthly or more frequently where conditions dictate. Lamp replacement is recommended every 10,000 hours of operation (approximately 14 months of continuous service).

OPTIONAL ACCESSORIES



Audio Alarm

Activated by the Sentry™ or Guardian™ - alerts user to any malfunction detected



Elapsed Time Indicator

Real-time, non-resettable display of accumulated operating hours



Solenoid Valves

Operates with the Guardian™ or Sentry™ and prevents flow during detected malfunctions. Available in nylon or brass



Time Delay Mechanism

Operates with Guardian™ or Sentry™ and solenoid valve to provide a 2-minute warm-up period for lamp to achieve full germicidal output



Flow Control Valves

Limits water flow to rated capacities. Available in PVC and stainless steel



Wall Mounting Kit

Stainless steel material provides professional finish. Pre-drilled and ready for quick and easy mounting of water purifier. Optimizes free air circulation to cool ballast housing



Quantum Thermal Optimizer

Used to help regulate the water temperature inside the purifier's chamber

MONITORING OPTIONS

Good



The **STERALERT™** Lamp Status Alarm monitors visible light emitted through the sight port plug of the water purifier and activates an audible alarm when visible light falls below acceptable levels.

- Easy installation, no tools required
- Mounts on the sight port plug
- Operates on a 9v battery
- Monitors the visible light emitted by the ultraviolet lamp (does not monitor the ultraviolet intensity)
- Warns of lamp or power failure
- Produces a high frequency tone, pulsed at two to three cycles per second
- Available with Remote Sounder
- Available with Dry Contact for Connection to PLC
- Optional 120v 60Hz Power Adapter available
- Available for use with all **MIGHTYPURE®** and **SANITRON®** models

Better



The **SENTRY™** Safety Sensor provides constant monitoring of the water purifier's ballast and germicidal lamp operation to give an indication of ballast and germicidal lamp status. The **SENTRY™** Safety Sensor is capable of operating an optional audio alarm and/or solenoid valve.

- Easy installation
- Plug **SENTRY™** into an electrical outlet, then plug water purifier into **SENTRY™**
- Operates optional Solenoid Valve and/or Audio Alarm
- Easily adaptable for use with other water purifier brands
- Warns of lamp failure
- Available for 120v 50/60Hz or 220v 50/60Hz water purifiers operating with electronic ballasts
- Available for use with most **Bio-Logic®**, **MINIPURE®**, **MIGHTYPURE®** and **SANITRON®** models

Best



The **GUARDIAN™** Ultraviolet Monitor visually indicates the level of germicidal ultraviolet energy that penetrates the quartz sleeve and the water within the disinfection chamber. The **GUARDIAN™** Ultraviolet Monitor is capable of operating an optional Audio Alarm and Solenoid Valve. In addition, the **GUARDIAN™** Ultraviolet Monitor will detect loss of ultraviolet due to lamp outage, component or power failure. Use of the Ultraviolet Monitor is recommended by the US Public Health Service "Criteria for the Acceptability of an Ultraviolet Disinfection Unit".

The **GUARDIAN™** Ultraviolet Monitor will detect reduction of ultraviolet levels due to:

1. Fouling or deposits on quartz sleeve.
2. Poor ultraviolet transmission through the water. (Color, turbidity, organic or other impurities in the water can reduce or interfere with the transmission of ultraviolet rays.)
3. Depreciation of lamp output due to usage or other cause. (Lamp output gradually depreciates with use. Lamp replacement is recommended once each year.)

The **GUARDIAN™** Ultraviolet Monitor has three models; Analog, Digital and Digital Remote. Voltage Configurations include 120V 50/60Hz, 220-240V 50/60 Hz, or 12VDC. Contact factory for special requirements. NOTE: **GUARDIAN™** Ultraviolet Monitor (analog, digital or digital remote) can be purchased and installed with the water purifier or at a later date for an existing installation.

The **GUARDIAN™** Ultraviolet Analog and Digital Monitors are mounted directly onto the water purifier. The sensor probe (included) is threaded into the sight port fitting of the ultraviolet water purifier. The aluminum collar on the bottom of the **GUARDIAN™** Ultraviolet Analog or Digital Monitor is secured over the sensor probe.

The **GUARDIAN™** Ultraviolet Digital Remote Monitor is intended for use in a location away from the water purifier that is being monitored. In all other respects, the remote **GUARDIAN™** behaves the same as the standard **GUARDIAN™**. Mounted on the back of the remote monitor is a socket into which the lead from an ultraviolet sensor is connected. Instead of being mounted inside the monitor housing, this sensor is contained within the remote probe. A standard length for the connecting cable supplied with the probe is 50 ft., but the lead length may be extended if desired. Please contact the factory for additional lengths.

- Available for use with all **MIGHTYPURE®** and **SANITRON®** models.

Options may be obtained when purchase of **SANITRON®** unit is made or added at a later date. For further details visit our website at www.ultraviolet.com.

ULTRAVIOLET DOSAGE

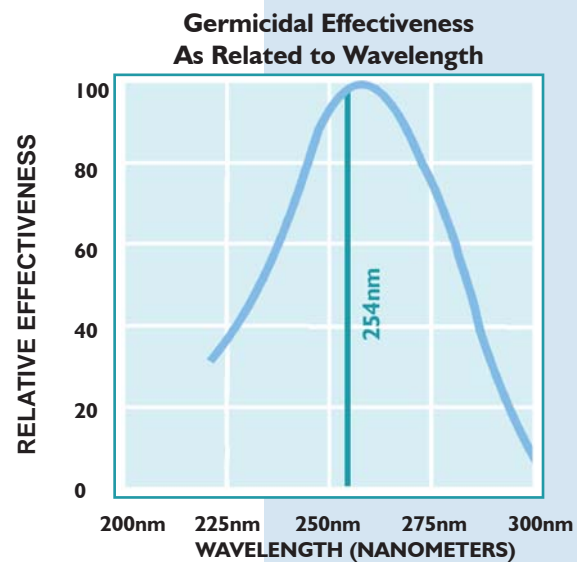
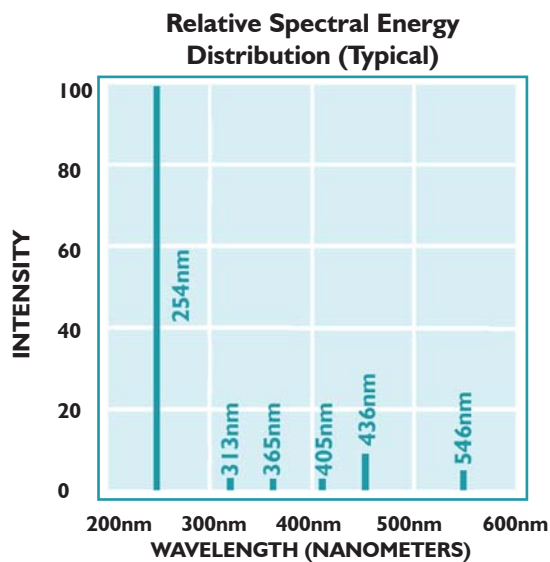
Germicidal lamps provide effective protection against microorganisms. A small cross-section is shown below.

| ORGANISM | ALTERNATE NAME | TYPE | DISEASE | DOSE* |
|---------------------------------|----------------------------|----------|--|--------|
| <i>Bacillus subtilis</i> spores | <i>B. subtilis</i> | Bacteria | ————— | 22,000 |
| Bacteriophage | Phage | Virus | ————— | 6,600 |
| Coxsackie virus | ————— | Virus | Intestinal infection | 6,300 |
| <i>Shigella</i> spores | ————— | Bacteria | Bacterial Dysentery | 4,200 |
| <i>Escherichia coli</i> | <i>E. coli</i> | Bacteria | Food poisoning | 6,600 |
| Fecal coliform | ————— | Bacteria | Intestinal infection | 6,600 |
| Hepatitis A virus | Infectious Hepatitis virus | Virus | Hepatitis of the liver | 8,000 |
| Influenza virus | Flu virus | Virus | Influenza | 6,600 |
| <i>Legionella pneumophila</i> | ————— | Bacteria | Legionnaires' Disease | 12,300 |
| <i>Salmonella typhi</i> | ————— | Bacteria | Typhoid Fever | 7,000 |
| <i>Staphylococcus aureus</i> | Staph | Bacteria | Food poisoning, Toxic Shock Syndrome, etc. | 6,600 |
| <i>Streptococcus</i> spores | Strep | Bacteria | Strep throat | 3,800 |

When used as directed to disinfect clear water, **SANITRON®** Water Purifiers provide an ultraviolet dosage in excess of 30,000 microwatt seconds per square centimeter ($\mu\text{WSec}/\text{cm}^2$).

* Nominal Ultraviolet dosage ($\mu\text{WSec}/\text{cm}^2$) necessary to inactivate better than 99% of specific microorganism. Consult factory for more complete listing.

OPERATING CHARACTERISTICS



Approximately 95% of the ultraviolet energy emitted from **STER-L-RAY™** germicidal lamps is at the mercury resonance line of 254 nanometers, the region of germicidal effectiveness most destructive to bacteria, mold and virus.

GENUINE **STER-L-RAY**[®] GERMICIDAL LAMPS

STER-L-RAY[®] Germicidal Lamps are shortwave, low pressure mercury vapor discharge tubes that produce ultraviolet wavelengths lethal to microorganisms.

STER-L-RAY[®] Germicidal Lamps are well suited to applications requiring high ultraviolet intensity such as water sterilization.

STER-L-RAY[®] Slimline Germicidal Lamps are instant starting and utilize a coil filament on each end which operates hot. Lamp life is governed by the life of the electrodes and is affected by the frequency of starting.

STER-L-RAY[®] Preheat Germicidal Lamps are operated by a preheat-start circuit that employs a compact and economical ballast. The preheat circuit requires four electrical connections per lamp and a slight to moderate delay is needed to start the lamp.

STER-L-RAY[®] GX Germicidal Lamps yield 1/3 to 2/3 more ultraviolet output than standard lamps of the same length.

STER-L-RAY[®] and the **STER-L-RAY**[®] logo are trademarks of Atlantic Ultraviolet Corporation.

CAUTION: Exposure to direct or reflected germicidal ultraviolet rays will cause painful eye irritation and reddening of the skin. Personnel subject to such exposure must wear suitable faceshield, gloves and protective clothing.

Hg - LAMP CONTAINS MERCURY, manage in accord with disposal laws, see: www.lamprecycle.org.



GERMICIDAL LAMP DATA

| Lamp Number | Purifier Model No. | Nominal Lamp Length | Power Consumption ^① | Ultraviolet Output ^② | Rated Effective Life |
|------------------------|--------------------|---|--------------------------------|---------------------------------|----------------------|
| 05-1098-R | S17A | 11 ⁷ / ₈ " (302mm) | 14 Watts | 4.0 Watts | 10,000 Hrs. |
| 05-1097-R | S23A | 17 ³ / ₄ " (451mm) | 21 Watts | 7.3 Watts | 10,000 Hrs. |
| 05-1343-R | S37C | 33 ³ / ₈ " (860mm) | 41 Watts | 15.0 Watts | 10,000 Hrs. |
| 05-1334-R | S50C | 45 ⁵ / ₈ " (1165mm) | 55 Watts | 21.0 Watts | 10,000 Hrs. |
| 05-1311-R ^③ | S2400C & Larger | 46 ¹ / ₄ " (1175mm) | 110 Watts | 48.0 Watts | 10,000 Hrs. |

① Wattage is lamp watts only and does not include ballast loss (approximate).

② Maximum rated output at 254 nanometers.

③ Patented by Atlantic Ultraviolet Corporation[®].

The lamps listed above have been especially developed and are recommended for use with **SANITRON**[®] Water Purifiers.

All **STER-L-RAY**[®] lamps used in **SANITRON**[®] units are low pressure type which afford the maximum efficiency in producing the required germicidal rays. In addition, has advantage of high efficiency and low power requirements.

STANDARD MODELS

WATER QUALITY RECOMMENDATIONS



Model S37C
12 GPM

Maximum Concentration Levels Before Ultraviolet

| | |
|-------------------------|------------------|
| <i>Turbidity</i> | <i>5 NTU</i> |
| <i>Suspended Solids</i> | <i>10 mg/L</i> |
| <i>Color</i> | <i>None</i> |
| <i>Iron</i> | <i>0.3 mg/L</i> |
| <i>Manganese</i> | <i>0.05 mg/L</i> |
| <i>pH</i> | <i>6.5 - 9.5</i> |
| <i>Hardness</i> | <i>6 gpg</i> |

Effectively treating water with higher concentration levels than listed above can be accomplished, but may require added measures to improve water quality to treatable levels.

| Model | Gallons per Minute | Gallons per Hour | Inlet and Outlet ^① | Replacement Lamps | Power Consumption ^② | Unit Dimensions (Inches) | | | Shipping Data (lbs.) | |
|---------|--------------------|------------------|-------------------------------|-------------------|--------------------------------|--------------------------|----------|---------|----------------------|---------|
| | | | | | | Length | Width | Height | Gross Wt. | Net Wt. |
| S17A | 3 | 180 | 3/4" NPT | 05-1098-R | 18 Watts | 19 3/8" | 4 5/16" | 8 3/16" | 11 | 8 |
| S23A | 6 | 360 | 3/4" NPT | 05-1097-R | 25 Watts | 25 3/8" | 4 5/16" | 8 3/16" | 14 | 12 |
| *S37C | 12 | 720 | 1" NPT | 05-1343-R | 48 Watts | 39 3/8" | 5 11/16" | 9 1/2" | 30 | 25 |
| S50C | 20 | 1,200 | 1-1/2" NPT | 05-1334-R | 65 Watts | 52 3/8" | 5 11/16" | 9 1/2" | 36 | 29 |
| *S2400C | 40 | 2,400 | 2" NPT | 05-1311-R | 140 Watts | 52 3/8" | 6 3/8" | 11 1/2" | 49 | 36 |

① All inlets and outlets are male pipe threads.

② Total power consumption including ballast loss.

- Maximum recommended operating pressure for all purifiers is 100 PSI.
- Pressure drop at maximum recommended flow rate is 5 PSI or less.
- Flow rates are based on Maximum Concentration Levels.
- 120 Volt and 220 Volt units are standard.
- 12 and 24 Volt units are also available.
- **SANITRON®** is available for operation on public power supplied throughout the world.
- Consult factory with specific power requirements.

* CE Compliant version available.

COMMERCIAL & INDUSTRIAL

Flexibility

System components are readily reconfigured to meet changing flow and process requirements.

Independent Monitoring

Single lamp chamber design enables separate output monitoring of each ultraviolet lamp.

Standby Capacity

Reserve chambers permit shutdown or replacement of individual components without interruption of service.

Special Options

Protective Coating - for seawater & corrosive environments, Sanitary & Custom Fittings - for system compatibility, Special Configurations - for TOC and ozone reduction

(For larger capacities please refer to our **MEGATRON®** Ultraviolet Water Disinfection catalog.)



Model S5,000C
83 GPM

Shown with supplied Interconnect piping, optional Guardian™ Digital Ultraviolet Monitors, Solenoid Valve, Flow Control Valve and customer supplied piping, union and shut-off valve.

| Model | Gallons per Minute | Gallons per Hour | Inlet and Outlet ^⑥ | Replacement Lamps | Power Consumption ^⑦ | Unit Dimensions (Inches) | | | Shipping Data (lbs.) | |
|------------------------|--------------------|------------------|-------------------------------|-------------------|--------------------------------|--------------------------|-------|--------|----------------------|---------|
| | | | | | | Length | Width | Height | Gross Wt. | Net Wt. |
| *S5,000C ^① | 83 | 5,000 | 2" NPT | 05-1311-R (2) | 280 Watts | 52½ | 17 | 15 | 116 | 85 |
| *S10,000C ^② | 166 | 10,000 | 2" NPT | 05-1311-R (4) | 560 Watts | 52½ | 21½ | 34¾ | 267 | 188 |
| *S15,000C ^③ | 250 | 15,000 | 2" NPT | 05-1311-R (6) | 840 Watts | 52½ | 21½ | 53¾ | 400 | 263 |
| *S20,000C ^④ | 333 | 20,000 | 2" NPT | 05-1311-R (8) | 1120 Watts | 52½ | 21½ | 71¾ | 534 | 396 |
| *S25,000C ^⑤ | 416 | 25,000 | 2" NPT | 05-1311-R (10) | 1400 Watts | 52½ | 21½ | 90¾ | 670 | 520 |

- ① Two S2400C's connected in series, 1 inlet and 1 outlet.
- ② Two S5,000C's connected in parallel, 2 inlets and 2 outlets.
- ③ Three S5,000C's connected in parallel, 3 inlets and 3 outlets.
- ④ Four S5,000C's connected in parallel, 4 inlets and 4 outlets.
- ⑤ Five S5,000C's connected in parallel, 5 inlets and 5 outlets.
- ⑥ All inlets and outlets are male pipe threads.
- ⑦ Total power consumption including ballast loss.

- Maximum recommended operating pressure for all purifiers is 100 PSI.
- Pressure drop at maximum recommended flow rate is less than 5 PSI.
- Flow rates are based on Maximum Concentration Levels, shown on page 8.
- 120 Volt and 220 Volt units are standard.
- **SANITRON®** is available for operation on public power supplied throughout the world.
- Consult factory with specific power requirements.

* **CE Compliant version available.**



**Model S10,000C
166 GPM**

Shown with supplied Interconnect Piping, optional Guardian™ Digital Ultraviolet Monitors, Solenoid Valves, Flow Control Valves and customer supplied manifolds, piping, unions and shut-off valves.

APPLICATIONS FOR ULTRAVIOLET WATER PURIFIERS

Institution systems...

- laboratories
- hospital
- clinics
- maternity areas
- labor & delivery areas
- pathology labs
- kidney dialysis labs
- nursing homes
- universities
- schools
- veterinary clinics

Transient systems...

- resorts, hotels, & motels
- ships, yachts, boats
- campgrounds

- restaurants
- water parks
- amusement parks
- golf course water holes
- lakes and ponds
- fountain water features
- ornamental ponds
- fish ponds
- swimming pool

Community systems...

- apartment complexes
- condominium complexes
- trailer parks
- rural water
- villages, towns, cities
- farms & ranches

- animal husbandry
- aquariums
- fish farms
- mollusk hatcheries
- water preserves
- well water

Industry systems...

- pharmaceutical mfg.
- electronic production
- cosmetic production
- cooling tower
- power generation
- food industry
- ice makers
- pulp & paper production
- water vending machines

- laundry water
- pure wash water
- bottled water
- beer, wine
- soft drinks
- fruit juices
- bottling facilities
- edible oils
- liquid sugar
- sweeteners
- water based lubricants
- dairy processing
- cistern applications
-
- TOC Reduction
- Ozone Reduction

COMPARISON OF ATLANTIC ULTRAVIOLET WATER PURIFIERS

| FEATURES [S] - Standard [O] - Optional [X] - Yes | Bio-Logic® Pure Water Pack™ 1.5 GPM | MINIPURE® 1 to 9 GPM | MightyPure® 3 to 20 GPM | SANITRON® 3 to 20 GPM | SANITRON® 40 to 416 GPM | MEGATRON® 90 to 450 GPM |
|---|--|--------------------------------|-----------------------------------|---------------------------------|-----------------------------------|-----------------------------------|
| Stainless Steel Construction | S | S | S | S | S | S |
| Germicidal Ultraviolet Lamp with 10,000 Hours Rated Effective Life | S | S | S | S | S | S |
| Quick Lamp Change with the Easy Off™ Retainer Cap | S | S | S | S | S | S |
| Fused Quartz Sleeve | S | S | S | S | S | S |
| Lamp Out Indicator Light(s) | S | S | - | - | - | S |
| Sight Port to View Lamp Operation | - | - | S | S | S | S |
| Drain Fitting | - | - | S | S | S | S |
| Patented Dual Action Wiper Mechanism - Manual | - | - | - | S | S | S |
| Patented Dual Action Wiper Mechanism - Automatic | - | - | - | - | - | O |
| Head(s) that can be removed or rotated | S | - | - | S | S | S |
| Sediment and Carbon Filter | S | - | - | - | - | - |
| Mounting Kit / Bracket | S | O | O | O | O ^① | - |
| Guardian™ Ultraviolet Monitor | - | - | O | O | O | S |
| Sentry™ Safety Sensor | O | O | O | O | O | - |
| Audio Alarm | O | O/S ^③ | O | O | O | O |
| Solenoid Valves | - | O | O | O | O | - |
| Flow Control Valves | - | O | O | O | O | - |
| Elapsed Time Indicator | O | O | O | O | O | S |
| Time Delay Mechanism | - | O | O | O | O | - |
| Residential Use | X | X | X | X | X | - |
| Commercial Use | - | - | X | X | X | X |
| CE Certified Models ^② | - | - | X | X | X | - |

NOTE: This list depicts options for 120v 50/60Hz operation. Consult factory for options with other power requirements

^① Model S10,000C & larger come equipped with mounting rack

^② MightyPure® MP36C and SANITRON® S37C, S2400C, S5000C, S10,000C, S15,000C and S20,000C are available as CE Certified

^③ Standard feature in some MINIPURE® Units

THE STANDARD OF EXCELLENCE IN ULTRAVIOLET



Manufacturers / Engineers / Sales / Service



375 Marcus Boulevard • Hauppauge, NY 11788 • 631.273.0500 • Fax: 631.273.0771 • E-mail: info@ultraviolet.com • ultraviolet.com

The information and recommendations contained in this publication are based upon data collected by the Atlantic Ultraviolet Corporation® and are believed to be correct. However, no guarantee or warranty of any kind, expressed or implied, is made with respect to the information contained herein. Specifications and information are subject to change without notice.

Document No. 98-1169 • Revised August 2012 • ©2000-2012 by Atlantic Ultraviolet Corporation® • MADE IN THE USA

